



**PERFORMANCE DATA SHEET  
NEMA PREMIUM NR CAN NEMA 12 - 12**

Catalogue #: MQOP-58

HP	kW	Voltage	S.F. @ 60Hz	EFF.	P.F.	Frame	Design	L.R. Amps
40	29,84	230/460	1,15	94,1%	0,81	364T	B	290

60 Hz								Code	F.L. RPM
208	230	416	460	480	575	600			
/	100	/	50,00	/	/			G	1180

50 Hz								
FLA			S.F. @ 50Hz	Efficiency	Power Factor	Code	F.L. RPM	
190	380	415						
122,0	61		1,00	92,4%	0,800	D	985	

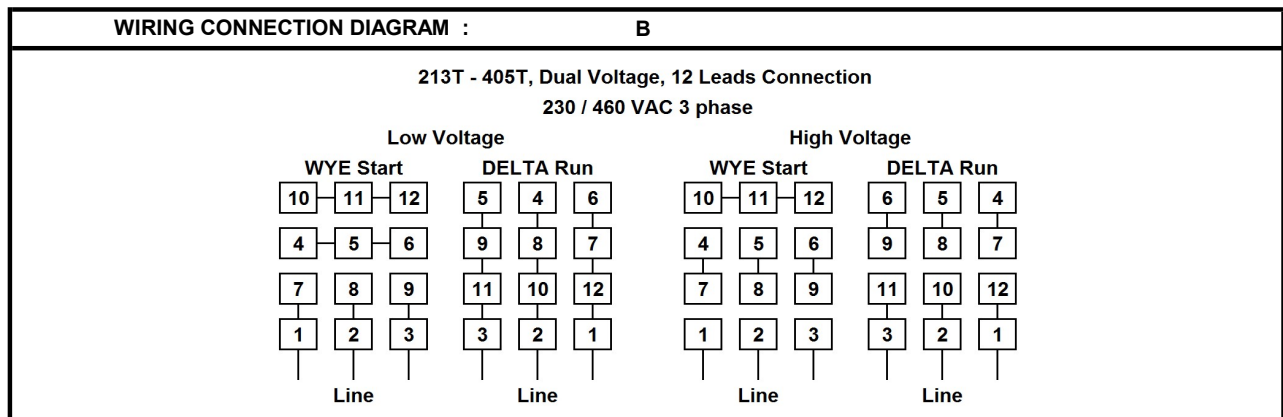
Wgt. Lbs	PH	Duty	Insul. Class	Amb.	Elevation	Temp. Rise° C
697	3	Cont.	F	40°C	1000M (3,300 Ft)	60

% Efficiency		% Power Factor		Torque		Winding Resist. Ω	Safe Cold Start (Secs)
Full Load:	94,1%	Full Load:	0,81	Full Load Ft/Lbs	178,0		
3/4 Load:	94,1%	3/4 Load:	0,77	Locked Rotor %	160		
1/2 Load:	93,6%	1/2 Load:	0,67	Break Down %	250	0,17	20

Rotor Inertia Wk2 Lb-Ft2	Max Load Inertia Wk2 Lb-Ft2	Shaft Material	Frame Material	DE Bracket Type	ODE Bracket Type	Enclosure	NEMA Rating	Lead Wire Size
14,24	686,6	1045	Cast Iron	Cast Iron	Cast Iron	ODP	IP23	8AWG

Ball Bearings		Grease	Mount Type	Orientation	Paint	Sound Pressure @ 3FT	Sound Power
DE	ODE						
6313	6313	Mobil PolyrexEm	Rigid	Horizontal	RAL6022	75	86

Inverter Duty, Motor meets MG1 parts 31.4.4.2	VFD SF	Constant Torque Range	Variable Torque Range	Constant HP RPM
	1,00	10:1	20:1	1800

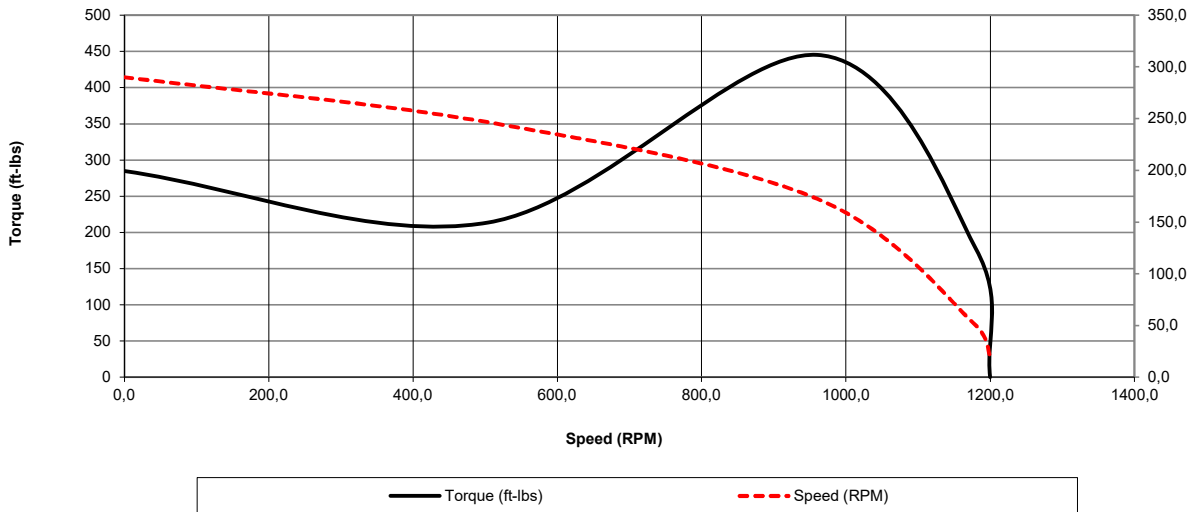


Date: 2023-12-13  
 Customer: \_\_\_\_\_  
 Contact: \_\_\_\_\_  
 Submittee: J.C. Lavallée

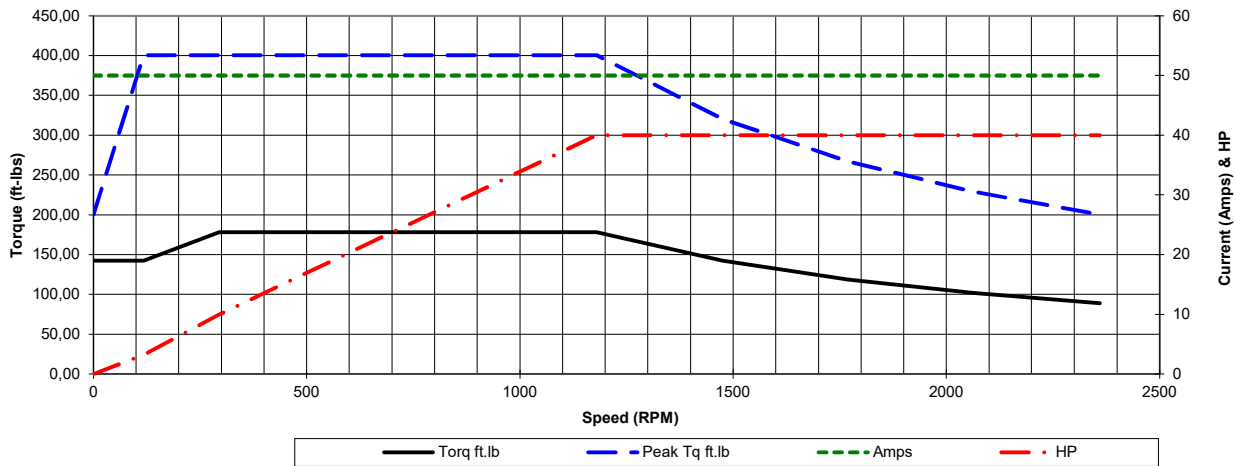
Catalogue #: **MQOP-58**

NEMA PREMIUM NR CAN NEMA 12 - 12										
HP	VAC	RPM	Enclosure	Frame	Frequency	Design	Poles	LR Code Letter	Insulation Class	Temp. Rise °C
40	460	1180	ODP	364T	60 Hz	B	6	G	F	60
	0Hz	6Hz	15Hz	30Hz	45Hz	60 Hz	75Hz	90Hz	105Hz	120Hz
Amps	50	50	50	50	50	50	50	50	50	50
RPM	0	118	295	590	885	1180	1475	1770	2065	2360
Torq ft.lb	142,43	142,43	178,03	178,03	178,03	178,03	142,43	118,69	101,73	89,02
Peak Tq ft.lb	200,29	400,58	400,58	400,58	400,58	400,58	320,46	267,05	228,90	200,29
HP	0	3,2	10,0	20,0	30,0	40,0	40,0	40,0	40,0	40,0
	Locked Rotor	Pull-Up	Breakdown	Rated Load	Idle	Duty	S. F.	Ambient	Elevation	dBa @ 1M
Speed (RPM)	0,0	504	960	1180	1200	Continuous	1,15	40°C	3,300 ft	75
Current (Amps)	290,0	246,5	172,6	50,0	19,0	VFD Rating: Meets MG1 parts 31.4.4.2				
Torque (ft-lbs)	284,9	213,6	445,1	178,0	0,0	C.T.	10:1	V.T.	20:1	VFD SF 1.00

Motor Speed Data



Motor Torque Capability vs RPM





Date: 2023-12-13  
 Customer: \_\_\_\_\_  
 Contact: \_\_\_\_\_  
 Submittee: J.C. Lavallée

Catalogue #: **MQOP-58**

NEMA PREMIUM NR CAN NEMA 12 - 12										
HP	VAC	RPM	Enclosure	Frame	Frequency	Design	Poles	LR Code Letter	Insulation Class	Temp. Rise °C
40	460	1180	ODP	364T	60 Hz	B	6	G	F	60
Load %	0%	25%	50%	75%	100%	125%	150%			
Amps	19,00	21,35	29,60	39,05	50,00	63,03	76,71			
Torq ft/lbs	0	43,95	88,27	132,96	178,03	223,49	269,33			
RPM	0	1195	1190	1185	1180	1175	1170			
Eff	0	92,33	93,60	94,10	94,10	92,62	92,26			
PF	0	47,5	67	77	81	80,19	79,38			
	Locked Rotor	Pull-Up	Breakdown	Rated Load	Idle	Duty	S. F.	Ambient	Elevation	dBA @ 1M
Speed (RPM)	0	504	960	1180	1200	Continuous	1,15	40°C	3,300 ft	75
Current (Amps)	290	246,5	172,6	50	19	VFD Rating: Meets MG1 parts 31.4.4.2				
Torque (ft-lbs)	284,85	213,64	445,08	178,03	0,0	C.T.	10:1	V.T.	20:1	VFD SF 1.00

